



GTAW Weldheads

CopperHeads® and DiamondBack®



CopperHeads

DiamondBack

Whether it's for bench or portable applications, MK Products provides a solution when it comes to orbital welding systems. As our most cost effective and rugged in-place orbital weldhead, the CopperHead series is an ideal cost saver for sanitary and high pressure tube systems. All CopperHeads are Water Cooled with fingertip controls in the weldhead handle and come ready to plug into the CobraTig® 150 SM and Advanced Color Logic® power sources.

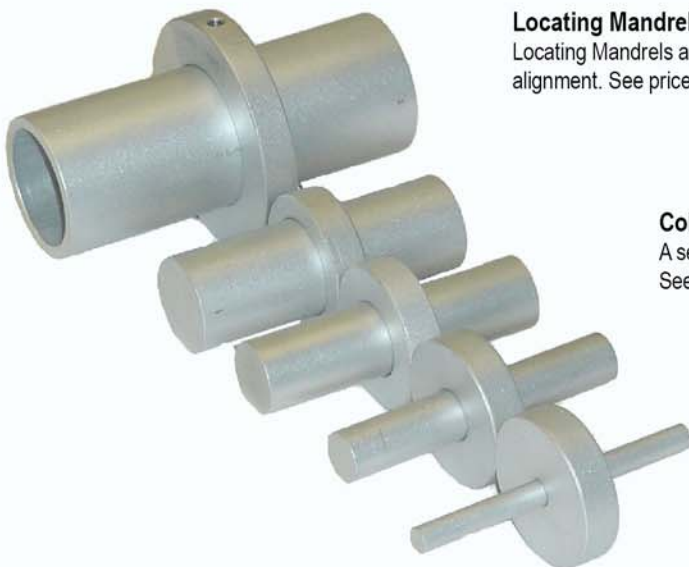
The DiamondBack is our largest in-place orbital weldhead. Heavy duty and versatile, the DiamondBack has a narrow profile and is perfect for process piping and weld fitting applications found in food & beverage, dairy and other sanitary process piping installations.

- Perfect for sanitary and high pressure tube and pipe jobs.
- Weld fitting collets, mandrels and special tooling available.
- CopperHead offers versatility and high-output production rates.
- Water Cooled, narrow profile CopperHeads ideal for awkward welds with limited access.
- DiamondBack great for high-pressure aerospace applications.
- Standard cable lengths of 25ft (7.6m).

Popular Accessories

- CopperHeads I-III Benchmount Kit (P/N 005-0634)
- DiamondBack Benchmount Kit (P/N 005-0680)
- 25 ft (7.6m) Extension Cable (P/N 005-0635)
- 50 ft (15.2m) Extension Cable (P/N 005-0635-50)

MODEL NUMBER	DESCRIPTION	DIAMETER RANGE	COOLING REQUIREMENTS
5001	CopperHead I	1/8" ~ 1" O.D.	Yes
5002	CopperHead II	1/4" ~ 2" O.D.	Yes
5003	CopperHead III	1/2" ~ 3" O.D.	Yes
5006	DiamondBack	2" O.D. ~ 6" O.D.	No



Locating Mandrels

Locating Mandrels are used for precise and repeatable tube and welding fitting positioning and alignment. See price book for part numbers.

Collets, Flush and Extended

A set of collets is defined as top and bottom halves for each side of the weldhead. See price book for part numbers. Typically, 2 sets are required per each weldhead.

Tungsten, Tube and Pipe

2% Ceriated electrodes, pre-ground and cut to length, 18° included angle, .015" flat tip, .040" or 1/16" diameter. See price book for part numbers. 10 pieces per package.